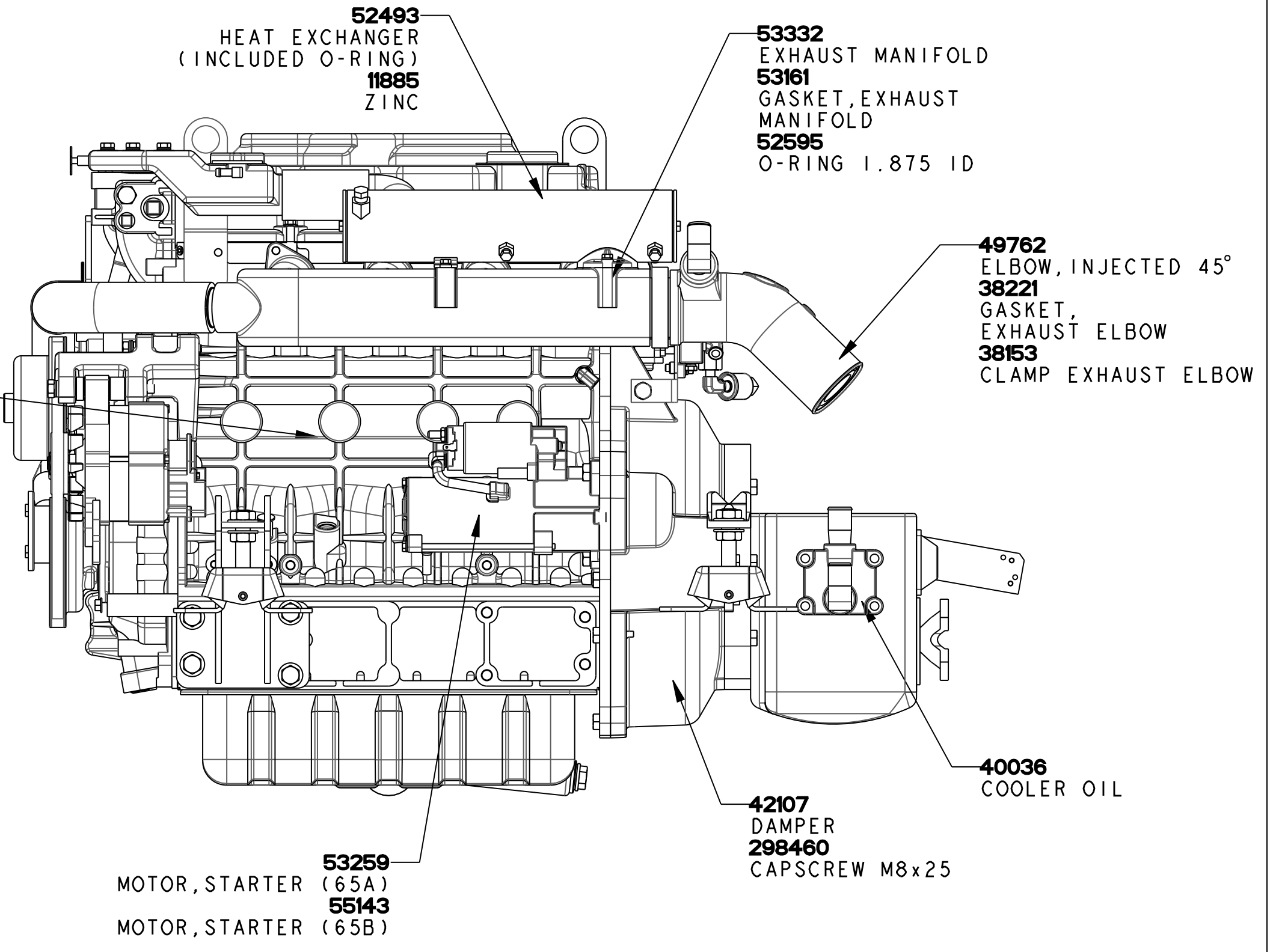
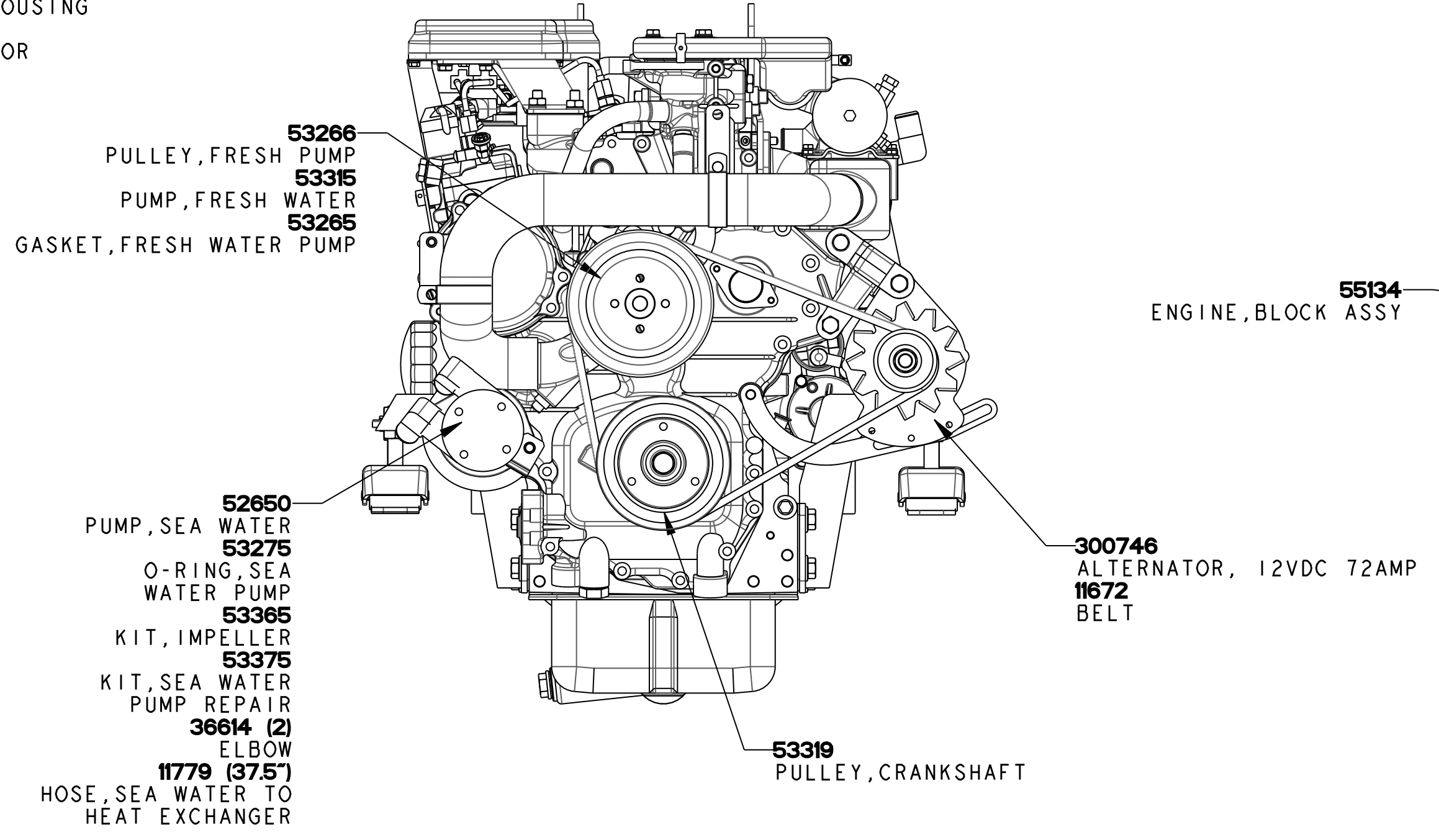
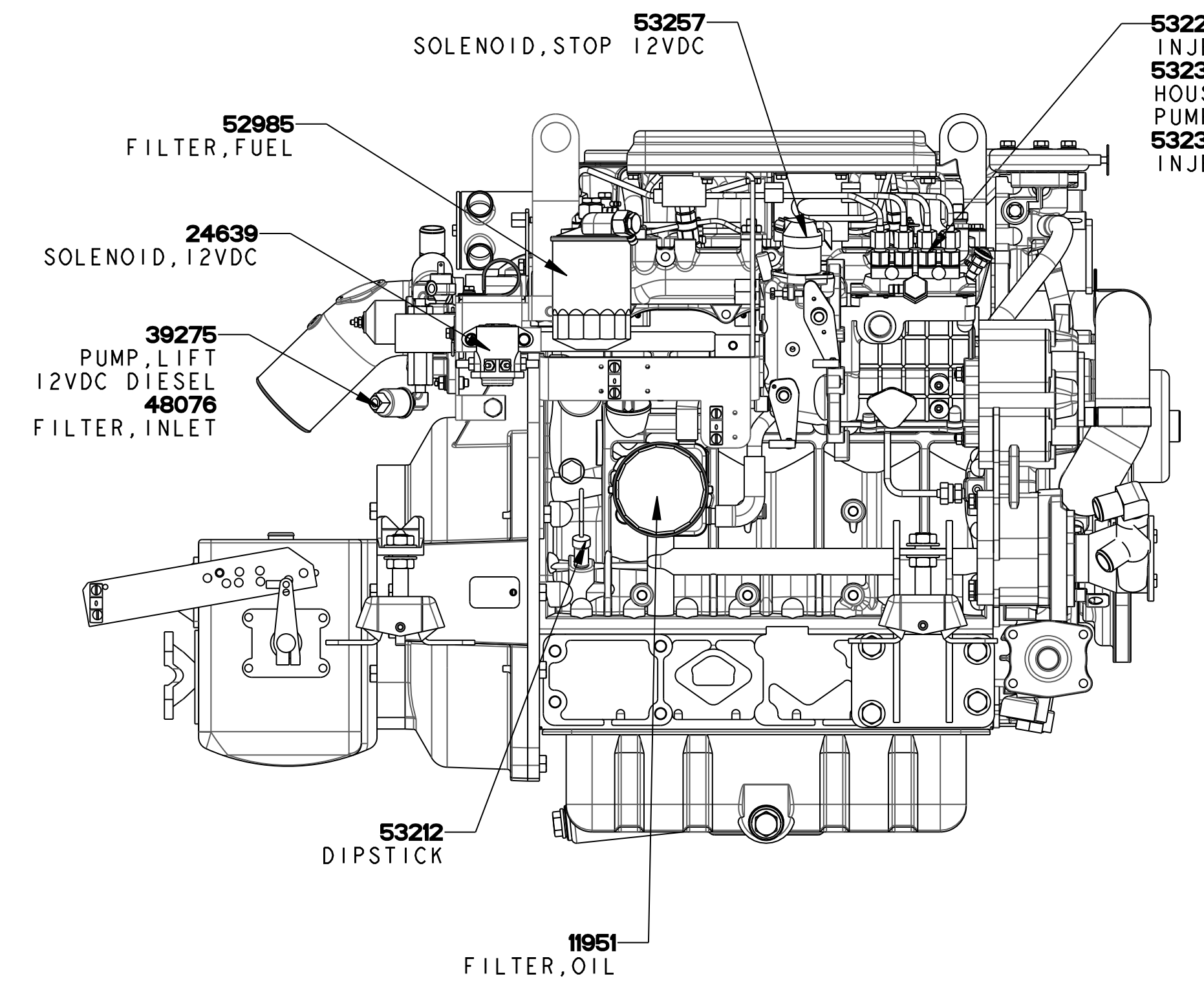


| P/N | DESCRIPTION |
|-------|--------------------------|
| 54218 | MANUAL, OPERATOR |
| 54372 | FILTER, REMOTE OIL |
| 53103 | GASKET SET, UPPER 65A |
| 53104 | GASKET SET, COMPLETE 65A |
| 55708 | GASKET SET, UPPER 65B |
| 55709 | GASKET SET, COMPLETE 65B |
| 54029 | HARNES, MARINE |



| | | | |
|--|-------------|----------------------|----------------|
| TOLERANCES (UNLESS OTHERWISE NOTED) | | WESTERBEKE | |
| INCHES | MILLIMETERS | TITLE | |
| .XX : .02 | .X : ± 1.0 | DGPARTS 65A/65B FOUR | |
| .XXX : .005 | .X : ± .5 | DRAWN BY | |
| CAST : .03 | .XX : ± .13 | DATE 06/0c1/08 | |
| ANGLES : 5° | FINISH 3/8 | MATERIAL: | |
| DIMENSIONS | | APPROVED BY | |
| INCHES ← MILLIMETERS → | | DATE | |
| (WHEN APPLICABLE) | | SCALE 0.200 | SIZE |
| SHT. 1 OF 6 | | D | DRAWING NUMBER |
| | | 54222 | |
| | | REV. E | |